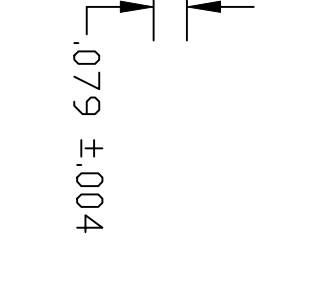
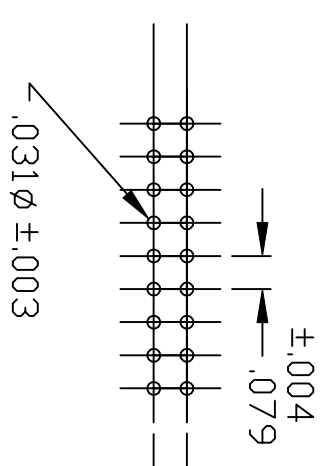
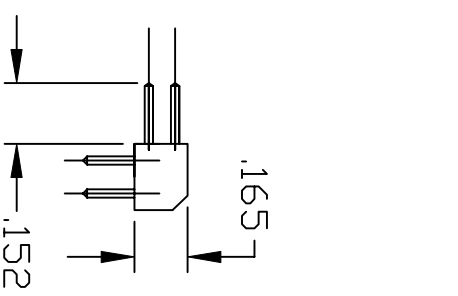
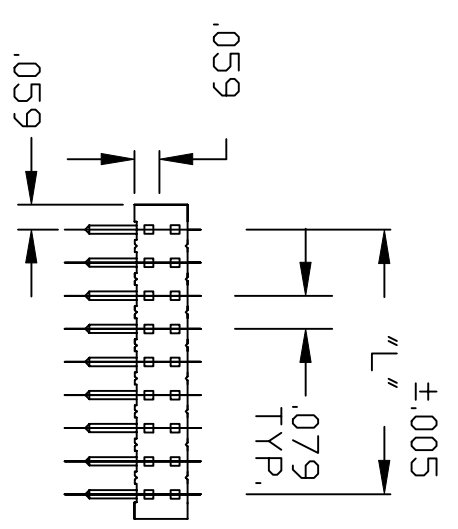
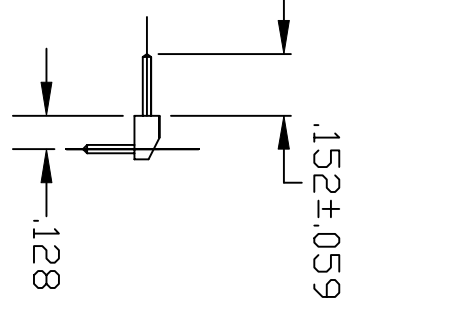
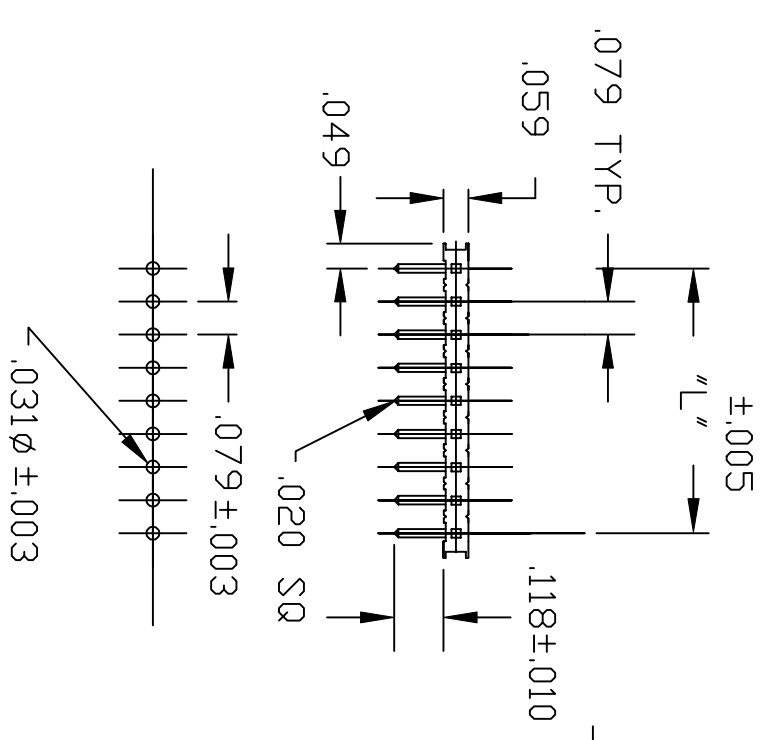


DESCRIPTION: 2mm HEADER STRIP STRAIGHT

"L" = ND, DF PINS/ROW X .079 - .079



216X-XX-02-XX  
 SERIES \_\_\_\_\_  
 2163 = SINGLE ROW  
 2164 = DUAL ROW  
 POSITIONS \_\_\_\_\_  
 SINGLE - INCREMENTS OF 1  
 DUAL = INCREMENTS OF 2  
 TYPE \_\_\_\_\_  
 02 = RIGHT ANGLE  
 PLATING \_\_\_\_\_  
 P2 = 15u" GOLD MATING AREA  
 TIN/LEAD TAILS

MATERIALS:  
 HOUSING: GLASS FILLED THERMOPLASTIC UL 94V-0  
 COLOR: BLACK  
 CONTACTS: DRAWN PHOSPHOR BRONZE 3./ HARD

	THESE DRAWINGS AND SPECIFICATIONS ARE THE PROPERTY OF NorComp AND SHALL NOT BE REPRODUCED, COPIED OR USED AS THE BASIS FOR THE MANUFACTURE OF APPARATUS WITHOUT WRITTEN PERMISSION.		
	DRAWN: PAM JENKINS	DATE: 5-13-02	
CHECKED:	DATE:		
SCALE:	SHEET	OF	REV
DWG NO.	1	1	3

NorComp

216X-XX-02-PX